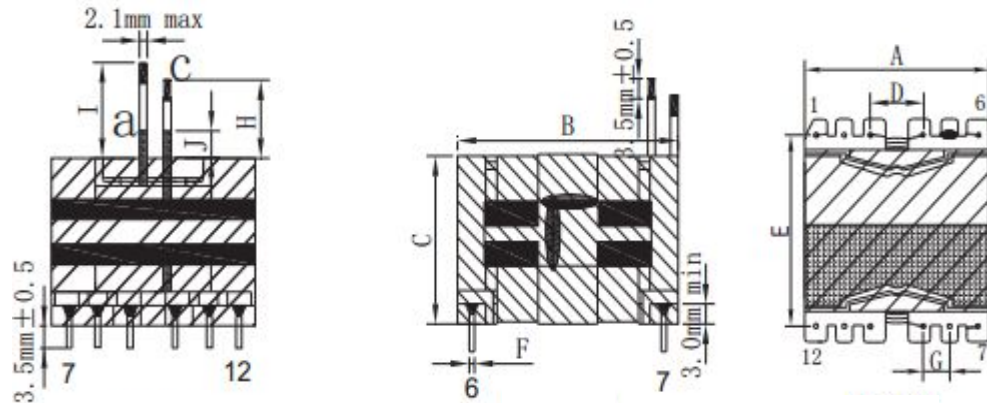


|                   |      |               |
|-------------------|------|---------------|
| CUSTOMER TERMINAL | ROHS | Lead(Pb)-free |
|                   | YES  | YES           |

## 1. Mechanical Dimensions

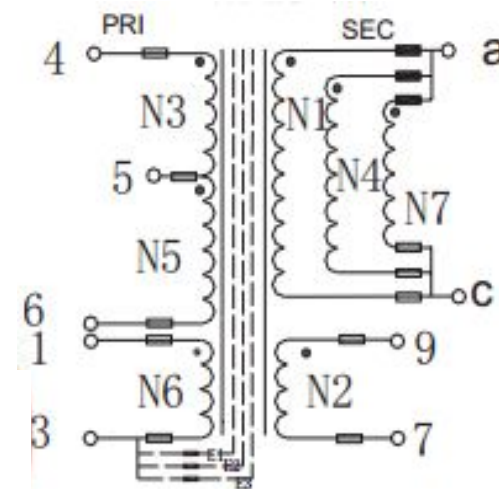


|   |      |      |
|---|------|------|
| A | 30.5 | MAX  |
| B | 30.5 | MAX  |
| C | 23.5 | MAX  |
| D | 7.5  | ±0.3 |
| E | 25.4 | ±0.4 |
| F | 0.6  | ±0.1 |
| G | 3.8  | ±0.2 |
| H | 30.0 | ±2.0 |
| I | 42.0 | ±2.0 |
| J | 10.0 | ±2.0 |

## 3. Material List

Core:FW95 PQ2620  
 Bobbin:FWB2601(6+6PIN)  
 Wire:2UEW TIW LITZ  
 Copper foil: 0.025t\*5.0/8.0mm  
 Operating Temperature: -30 to115 °C

## 2. Schematic Diagram



## 4. Electrical Specification

Inductance: L(4-6):0.63mH±5% 60KHZ , 1V  
 Leakage Inductance : 9uH MAX 60KHZ , 1V  
 DCR:(4-6)=0.8ΩMAX (A-C)=17.5mΩMAX  
 Hi-Pot:P-S: AC 60Hz 4000V 1.0mA 3S  
 S-CORE: AC 60Hz 4000V 1.0mA 3S

|      |       |                          |  |      |                |              |
|------|-------|--------------------------|--|------|----------------|--------------|
| REV. | DATE  | <br>Convention Placement | DRW.   |      | Drawing Title: | Part No:     |
| 0    | 00/00 |                          | CHK.   |      |                |              |
| ROHS |       |                          | <a href="http://www.ferriwo.com">www.ferriwo.com</a> | APP. |                | Customer P/N |